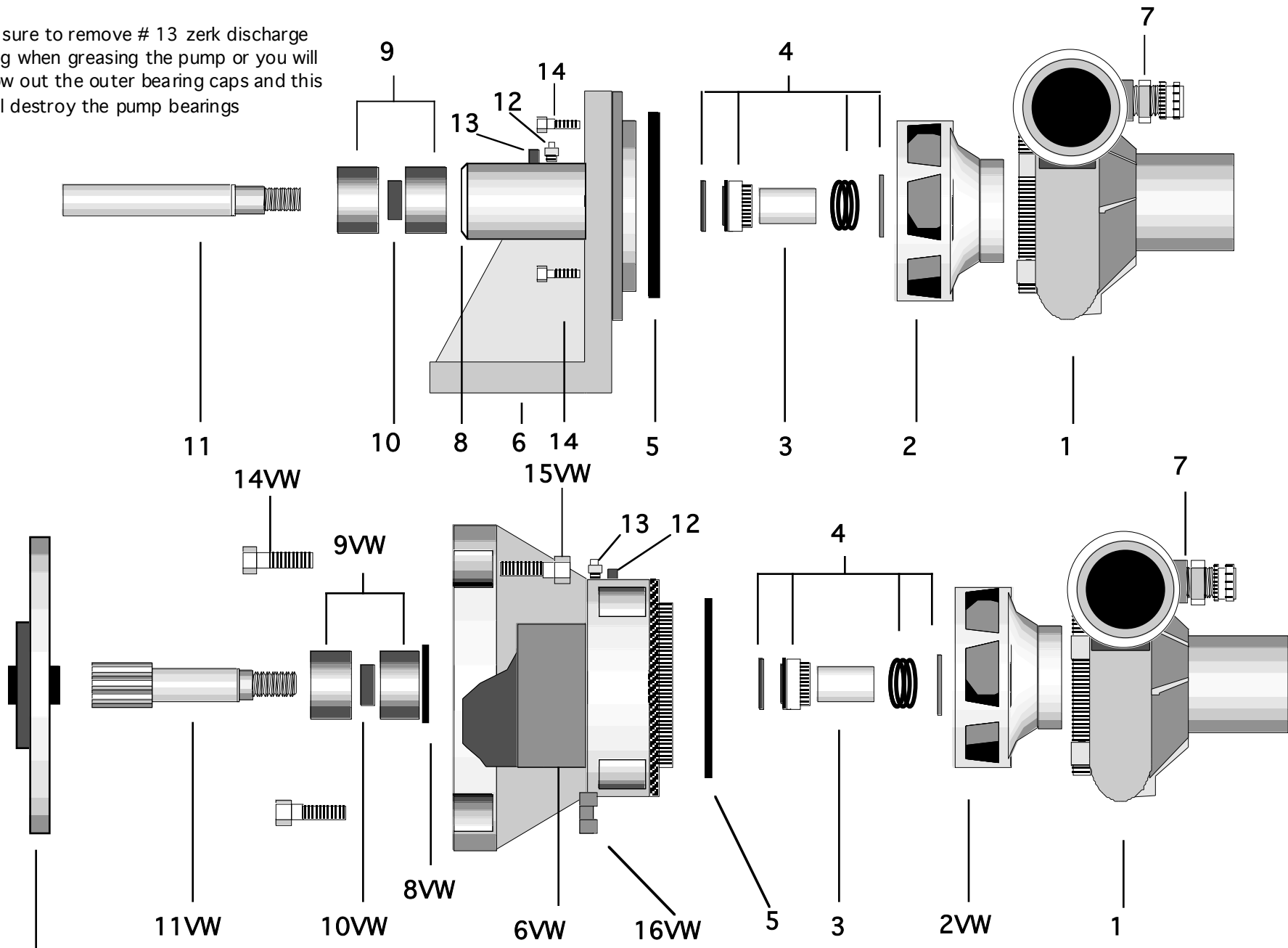


Be sure to remove # 13 zerk discharge plug when greasing the pump or you will blow out the outer bearing caps and this Will destroy the pump bearings



ISOLATOR PLATE BOLTS  
DIRECTLY TO VW FLYWHEEL

# P1500 PUMP ASSEMBLY AND PARTS